

6yd. and 8yd. Front Load Commercial Containers

Innovative Design Provides Greater Durability and Quiet Operation

Since 1913, Rehrig Pacific has consistently delivered products and services that provide real competitive advantages and productivity improvements for our customers.

Rehrig Pacific has once again used its experience and know-how to produce a range of large rotationally molded containers that stand-up to the use and abuse of commercial collection. Designed for quiet pick-up and disposal like the smaller sizes, these neighbor-friendly, plastic containers can allow drop-off and collection at times in noise-sensitive areas often prohibited for metal containers.



8 Yard

6 Yard



Large smooth logo area



Fully enclosed pockets



Optional pocket sleeves with bumpers

Corporate Headquarters:

4010 East 26th St., Los Angeles, CA 90058
(323) 262-5145 (800) 421-6244 FAX: (323) 269-8506

United States:

Los Angeles, CA (800) 421-6244 • Erie, PA (800) 458-0403
Atlanta, GA (800) 241-9693 • Dallas, TX (800) 426-9189
Kenosha, WI (800) 934-3312 • De Soto, KS (866) 265-4108
Orlando, FL (800) 998-2525

International:

Canada (877) 456-8094 • Mexico +52 (442) 296-2000

Email: info@rehrigpacific.com

Web: www.rehrigpacific.com



A FAMILY TRADITION OF GROWTH, SERVICE AND INNOVATION

Features & Benefits

- Lightweight—1/3 less weight than comparable metal containers causes less wear & tear on collection equipment
- Fully enclosed pockets provide increased protection against sidewall punctures by fork tines
- Optional polyethylene (PE) pocket sleeves with integrated bumpers increase sidewall protection, promote noise reduction and provide protection for front panels against repeated impacts
- Fiberglass hinge rods are supported and protected over their entire length providing longer life and smooth operation
- Molded beams and bottom skids provide support and stepped sidewalls provide stiffness to avoid sagging and bowing
- Molded-in rings speed skid plate installation without bolts perforating the container bottom

Durable & Sustainable

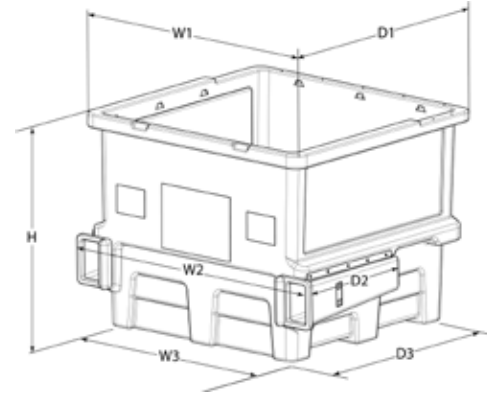
- Container bodies are molded using high-impact, UV stabilized, 100% recyclable, PE resin that won't rust or develop pin hole leaks
- Dent resistant and repairable PE resin cleans easily and graffiti can be wiped off using standard cleaners
- Heavily reinforced top rim adds strength where it's needed most
- Selection of standard and custom colors that won't fade and never need painting

Added Features

- Smooth areas on front for branding graphics or fixing labels
- Recessed lid-grip area on top rim
- Self-centering nesting stops
- Rugged, double-wall, crowned lids
- Easy mounting bottom skids standard

Options

- Drain plugs
- Lock bar, with or without gravity lock
- Sliding side access door
- Front slot for cardboard recycling
- Plastic pocket sleeves with integrated bumpers
- In-mold labels for company logos and slogans
- Custom colors



	6 Yard	8 Yard
W1	77.00"	77.00"
W2	83.50"	83.50"
W3	65.00"	65.00"
D1	77.50"	86.00"
D2	43.50"	43.50"
D3	66.00"	74.50"
Height (without 1.75" bottom skid)	61.00"	69.00"
Height with Lid	65.00"	73.00"
Assembled Weight	520 lbs.	585 lbs.
Load Rating	3,500 lbs.	5,000 lbs.
Stack Size	2 high	2 high
53' Truckload Quantity	16	16



8yd. containers nested vertically aligned



6yd. container with one lid fully opened



Molded beams & bottom skids



Optional sliding door



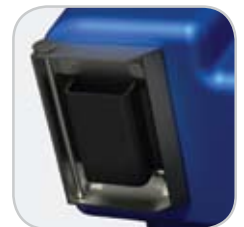
Back lid & hinge



Molded-in ring



Optional drain plug



Quick change skid plate



A FAMILY TRADITION OF GROWTH, SERVICE AND INNOVATION