

All-Plastic, Front Load Commercial Containers

Innovative Plastic Design Provides Greater Durability and Quiet Operation

Available in several sizes, our innovative design embodies true strength, durability and quiet operation.

Rehrig Pacific has once again used its experience and know-how to produce a new range of rotationally molded containers that stand-up to the use and abuse of commercial collection. Designed for quiet pick-up and disposal, these neighbor-friendly, plastic containers allow drop-off and collection in noise-sensitive areas and at times often prohibited for metal containers.



4 Yard

3 Yard

2 Yard

Corporate Headquarters:
4010 East 26th St., Los Angeles, CA 90058
(323) 262-5145 (800) 421-6244 FAX: (323) 269-8506

United States:
Los Angeles, CA (800) 421-6244 • Erie, PA (800) 458-0403
Atlanta, GA (800) 241-9693 • Dallas, TX (800) 426-9189
Kenosha, WI (800) 934-3312 • De Soto, KS (866) 265-4108
Orlando, FL (800) 998-2525

International:
Canada (877) 456-8094 • Mexico +52 (442) 296-2000
United Kingdom +44 (0)8454 684668

Email: info@rehrigpacific.com
Web: rehrigpacific.com



Large logo area



Pocket sleeve with bumper



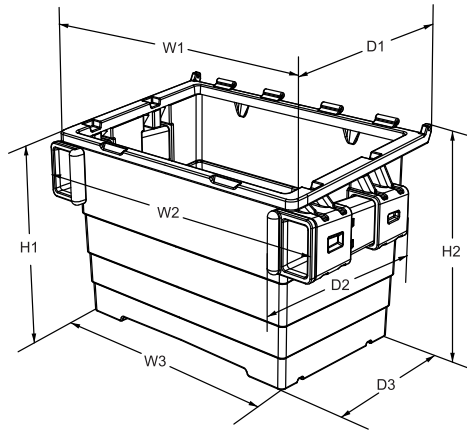
Robust pocket sleeve locks



A FAMILY TRADITION OF GROWTH, SERVICE AND INNOVATION

Features & Benefits

- Lightweight – 1/3 less weight than comparable metal containers makes maneuvering easy with less effort and noise
- Replaceable pocket sleeves provide added side wall thickness and protection against puncturing by fork tines
- Sleeve bumpers provide added protection for front panels and against repeated impacts
- Heavily reinforced top rim adds strength where it's needed most
- Molded beams provide support and stepped sidewalls provide stiffness to avoid bottom sagging and bowing
- Molded-in caster rings speed caster plate installation without bolts perforating the container



	2 Yard	3 Yard	4 Yard
W1	75.50"	75.50"	75.50"
W2	83.50"	83.50"	83.50"
W3	62.00"	63.00"	63.50"
D1	43.00"	49.00"	59.00"
D2	36.00"	36.00"	43.50"
D3	32.50"	39.00"	48.00"
H1	42.50"	47.00"	46.50"
H2	47.50"	53.00"	60.00"
Ht. with Lid	48.50"	54.00"	61.00"
Caster Height	7.00"	7.00"	7.00"
Assembled Weight	225 lb.	245 lb.	295 lb.
Load Rating	1,500 lb.	2,000 lb.	3,000 lb.
Stack Size	3 high	3 high	2 high
53' Truckload Qty.	42	36	20

Durable & Sustainable

- High-impact, UV stabilized, 100% recyclable polyethylene (PE) resin won't deteriorate like metal in damp conditions
- Dent resistant and repairable, PE resin cleans easily so graffiti can be wiped off using ordinary cleaners
- Fiberglass hinge rods are substantially supported over their full length providing longer life and smooth operation
- Selection of standard colors that won't fade and never need painting



Vertically aligned, nested 3 Yard containers

Added Features

- Smooth areas on front for branding graphics or fixing labels
- Recessed lid-grip areas on top rim
- Self-centering nesting stops
- Rugged, double-wall, crowned lids
- Choice of fixed or swivel casters
- 6" heavy-duty polyolefin wheels



Recessed lid-grip areas



Stepped sidewalls



One bolt, quick-change casters

Options

- Drain plugs
- Lock bar, with or without gravity lock
- Lockable casters
- Easy mounting bottom skids
- Custom colors
- In-mold labels for logos and slogans



Molded beams in bottom



Molded-in caster rings



Optional drain plug



A FAMILY TRADITION OF GROWTH, SERVICE AND INNOVATION