

Rear Load Commercial Containers

Innovative Plastic Design Provides Greater Durability and Quiet Operation

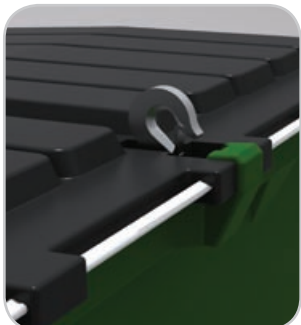
Available in standard sizes, our innovative design embodies true strength, durability and quiet operation.

Rehrig Pacific has once again used its experience and know-how to produce a new range of rotationally molded containers that stand-up to the use and abuse of commercial collection. Designed for quiet pick-up and disposal, these neighbor-friendly, plastic containers allow drop-off and collection in noise-sensitive areas and at times often prohibited for metal containers.



3 Yard

2 Yard



High capacity cable hook



Hand grip area



Solid steel trunion bar

Corporate Headquarters:

4010 East 26th St., Los Angeles, CA 90058
(323) 262-5145 (800) 421-6244 FAX: (323) 269-8506

United States:

Los Angeles, CA (800) 421-6244 • Erie, PA (800) 458-0403
Atlanta, GA (800) 241-9693 • Dallas, TX (800) 426-9189
Kenosha, WI (800) 934-3312 • De Soto, KS (866) 265-4108
Orlando, FL (800) 998-2525

International:

Canada (877) 456-8094 • Mexico +52 (442) 296-2000
United Kingdom +44 (0)8454 684668

Email: info@rehrigpacific.com

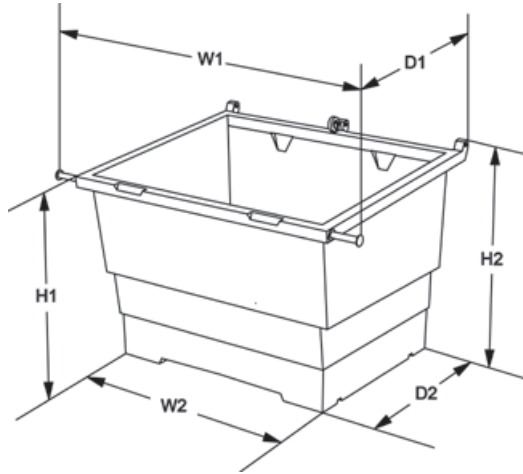
Web: rehrigpacific.com



A FAMILY TRADITION OF GROWTH, SERVICE AND INNOVATION

Features & Benefits

- Lightweight – 1/3 less weight than comparable metal containers makes maneuvering easy with less effort and noise
- Heavily reinforced top rim adds strength where it's needed most
- Molded beams provide support and stepped sidewalls provide stiffness to avoid bottom sagging and bowing
- Molded-in caster rings speed caster plate installation without bolts perforating the container
- Large hand grip areas on both sides aid alignment during dumping



	2 Yard	3 Yard
W1	78.00"	78.00"
W2	52.50"	54.00"
D1	48.25"	55.25"
D2	35.25"	42.25"
H1	40.50"	41.50"
H2	44.00"	49.75"
Ht. with Lid	45.00"	50.75"
Caster Height	7.00"	7.00"
Assembled Weight	210 lb.	240 lb.
Load Rating	1,500 lb.	2,000 lb.
Stack Size	6 high	5 high
53' Truckload Qty.	66	50

Durable & Sustainable

- High-impact, UV stabilized, 100% recyclable polyethylene (PE) resin won't deteriorate like metal in damp conditions
- Dent resistant and repairable, PE resin cleans easily so graffiti can be wiped off using ordinary cleaners
- One-piece 1¼" solid steel trunnion bar spreads load equally across container
- Selection of standard colors that won't fade and never need painting



Crowned lid, reinforced top rim and hinge rod supports

Added Features

- Smooth areas on front and sides for branding graphics or fixing labels
- Recessed lid-grip areas on top rim
- Fiberglass hinge rod
- Rugged, double-wall, crowned lids
- Choice of fixed or swivel casters
- 6" heavy-duty polyolefin wheels

Options

- Lifting hook or "pear" ring
- Drain plugs
- Lockable casters
- Easy mounting bottom skids
- Custom colors
- In-mold labels for logos and slogans



Recessed lid-grip areas



Molded beams in bottom



One bolt, quick-change casters



Large logo area



Molded-in caster rings



Optional drain plug



A FAMILY TRADITION OF GROWTH, SERVICE AND INNOVATION