

www.rehrigpallets.com



40 x 48 Nestable Plastic Pallet

Features:

- Four-way entry
- Patented Box Beam™ design*
- Reinforced perimeter and legs
- Heavy duty welds
- Branding areas on all sides
- Ergonomic handles
- Leg grommet support

Material:

UV stabilized high impact co-polymer polypropylene resin

Options:

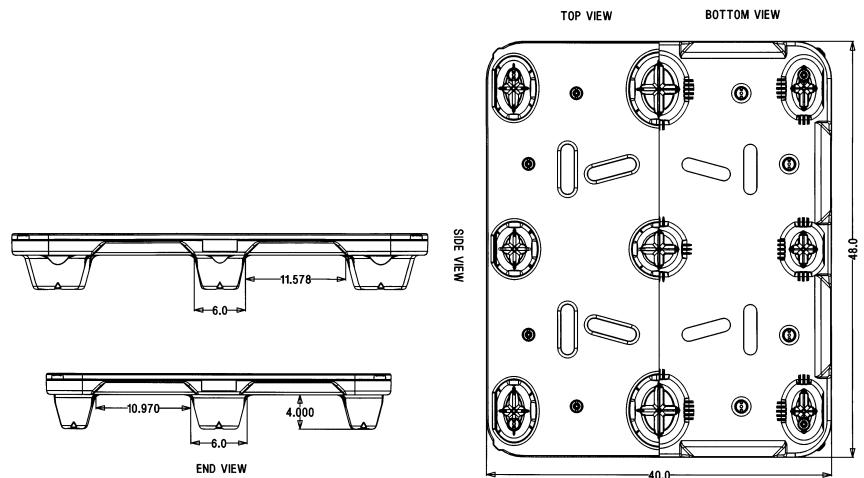
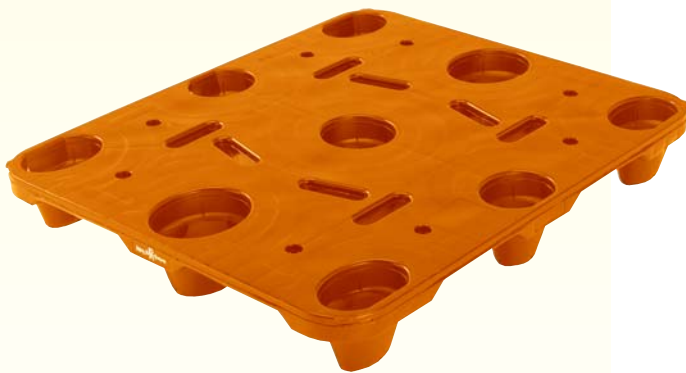
- FDA approved colors
- Leg and top deck grommets
- Edge lip
- Light, heavy, or no top deck scuffing

*other patents pending

Nestable plastic pallets have long been a weak link in grocery and retail supply chains, but not anymore. Rehrig Pacific has applied the manufacturing and design advantages of high-pressure injection molding to produce an exceptionally strong, high life expectancy, nestable plastic pallet. Injection molding gives us the ability to reinforce the areas of the pallet that receive the most abuse, like posts and leading edges.

Our high impact co-polymer resin and patented Box Beam™ design work together to provide greater durability, extra stiffness and stronger welds compared to twin sheet thermoformed pallets in use today.

Multiple ergonomic handles, effective edge lips and leg grommets designed to take heavy loads without caving are features that insure that HuskyLite® Nestable Plastic Pallets are built to last for the long haul.



Product	Width (W)		Length (L)		Height (H)		Weight		Lip Height		ID Width		ID Length	
	in	mm	in	mm	in	mm	lb	kg	in	mm	in	mm	in	mm
Nestable	40	1,016	48	1,219	6.5	165	28.0	12.7	0.200	5	39.37	1,000	47.24	1,200

In keeping with our goal of continuing product improvement, Rehrig Pacific Company reserves the right to change materials, designs, and specifications without notice or obligation.

Headquarters: 4010 East 26th Street Los Angeles, California 90023 (323) 262-5145 (800) 421-6244 FAX: (323) 269-8506

Erie, PA (800) 458-0403 • Atlanta, GA (800) 241-9693 • Dallas, TX (800) 426-9189 • Kenosha, WI (800) 934-3312

Raymond, NH (800) 882-7440 • De Soto, KS (866) 265-4108 • Orlando, FL (800) 998-2525

www.rehrigpacific.com • info@rehrigpacific.com