

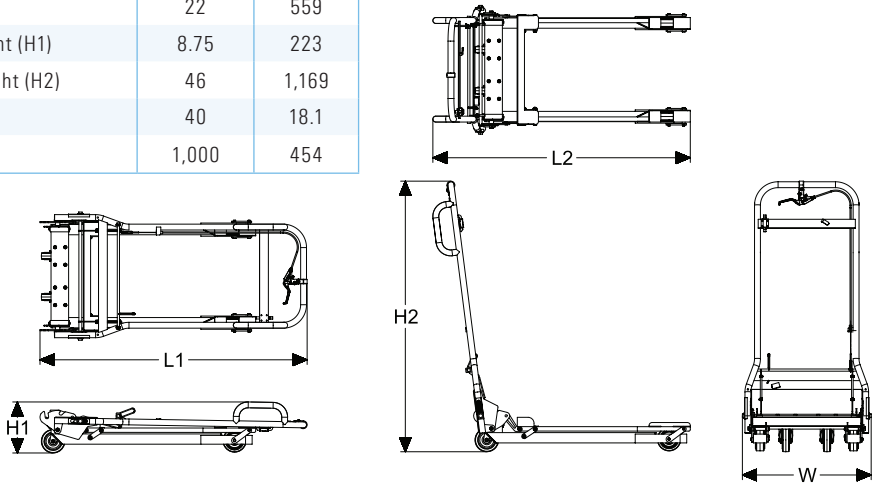
GS Merchandiser Sled



Specifications

- Folding design maximizes portability and enables the unit to easily fit in the Merchandiser's vehicle
- Lightweight for easy transport
- Zero turn radius increases maneuverability in narrow store aisles
- 4" dual precision ball bearing casters for maneuverability
- 4" dual precision ball bearing load wheels for smooth rolling throughout the store
- Non-marking wheel tread designed to avoid damaging or marking store floors
- Ergonomic Handle Bars
- Compatible with Geo System Pallet
- Customized Color and Branding Available to Promote Brand Equity

Specifications	IN/LB	CM/KG
Folded Length (L1)	45.5	1,156
Upright Length (L2)	44	1,118
Width (W)	22	559
Folded Height (H1)	8.75	223
Upright Height (H2)	46	1,169
Weight	40	18.1
Load Rating	1,000	454



Corporate Headquarters
 4010 East 26th St., Los Angeles, CA 90058
 (800) 421-6244 • (323) 262-5145

Locations
 Los Angeles, CA • Orlando, FL • Atlanta, GA • De Soto, KS
 Erie, PA • Dallas, TX • Kenosha, WI • Quebec, Canada
 Querétaro, Qro., Mexico

Web: www.rehrigpacific.com



A FAMILY TRADITION OF GROWTH, SERVICE AND INNOVATION