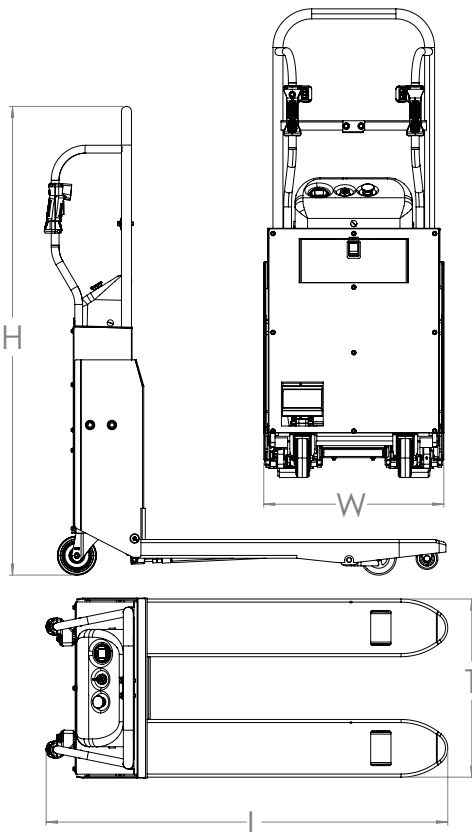




## Features & Benefits

- Powered drive system with dual hub motors
- Electro-hydraulic pump system to effortlessly lift pallet loads
- Heavy duty steel frame and fork tines
- Trailer to store solution eliminates need to unload pallets in trailer
- Our integrated Smart enablement capability enhances asset tracking through GPS location, critical diagnostics, and preventative maintenance alerts, while also delivering real-time asset management and route analytics for optimized efficiency
- Compact frame design for excellent maneuverability in compact spaces, coolers and freezers
- Lightweight lithium-ion battery easily lasts a full shift with tool-less quick swapping when necessary
- Battery fully charges in approximately 1.5 hours
- Ergonomic hand grip controls for intuitive and safe operation
- Heavy duty 5" casters for maximum durability
- Parking brake system locks both casters to hold sled stationary
- Non-marking wheel tread designed to avoid damaging or marking store floors
- Manual mode for even greater control through tight aisles
- Robust serviceable components for easy maintenance
- Retracting load belt for securing pallet load
- Compatible with 29x42 delivery pallet
- Customized branding available



SPECIFICATIONS	IN/LB	MM/KG
Length (L)	50.5	1283
Width (W)	22.5	571
Height (H)	60	1524
Tine Span (T)	22.5	572
Weight	320	145
Load Capacity	1500	680