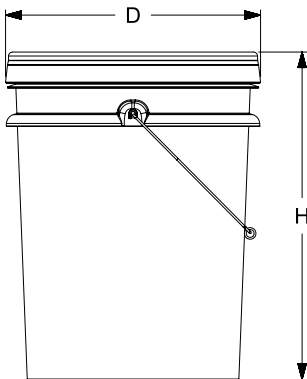
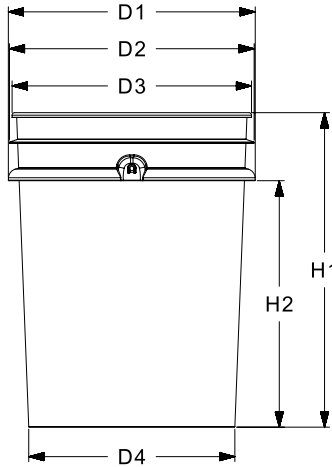


20 Liter Pail UN



Features & Benefits

- Gauge: 90 mil
- Nominal volume: 5.28 USG/20L
- Material: High-Density Polyethylene (HDPE)
- Maximum capacity: 5.9USG
- Colors: Standard: White, Black, and Natural (Custom colors available upon request)
- Decorating Options: 1 - 6 color offset printing
Heat transfer labels, sleeve or pressure sensitive labeling.
- Print area:
Max Height = 8.5"
Max Length = 33.50"
- Handles Options: 12 ga. Galvanized Steel with HDPE grip, HDPE plastic
- National Motor Freight (NMF) Certification
- Fitting Options: Blank, Metal Crimp-on, All Plastic Crimp-on, 70mm Screw Cap



Specifications	IN/LB	MM/KG
Bumper Ring Diameter (D1)	12.3	313
Satellite Ring Diameter (D2)	12.1	307
Curl Diameter (D3)	11.9	303
Base Diameter (D4)	10.2	259
Pail Height (H1)	15.6	397
Bumper Ring (H2)	12.2	310
Pail Weight	2.18	0.99
Overall Package Diameter (D)	12.3	313
Overall Package Height (H)	15.9	404
Overall Package Weight	2.93	1.33
Shipping Information		
Pails per pallet	240	
Covers per pallet	1248	
Pails/Covers per truckload	6000	

Corporate Headquarters
4010 East 26th St., Los Angeles, CA 90058
(800) 421-6244 • (323) 262-5145

Locations
Los Angeles, CA • Orlando, FL • Atlanta, GA • De Soto, KS
Erie, PA • Dallas, TX • Kenosha, WI • Quebec, Canada
Querétaro, Qro., Mexico

Web: www.rehrigpacific.com



A FAMILY TRADITION OF GROWTH, SERVICE AND INNOVATION