

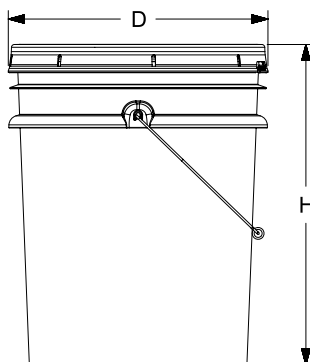
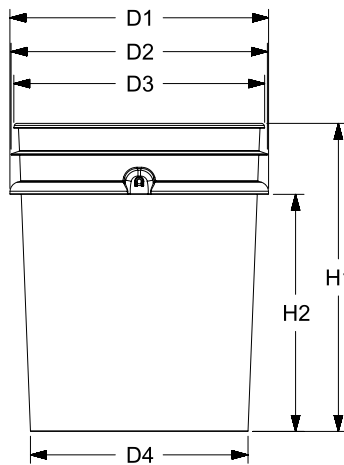
5 Gallon Pail



Features & Benefits

- Gauge: 90 mil
- Nominal volume: 5 USG/18.9L
- Material: High-Density Polyethylene (HDPE)
- Maximum capacity: 5.5USG
- Colors: Standard: White, Black, and Natural (Custom colors available upon request)
- Decorating Options: 1 - 6 color offset printing Heat transfer labels, sleeve or pressure sensitive labeling.
- Print area:
Max Height = 8.5"
Max Length = 33.50"
- Handles Options: 12 ga. Galvanized Steel with HDPE grip, HDPE plastic
- National Motor Freight (NMF) Certification
- Fitting Options: Blank, Tint, Buna

Specifications	IN/LB	MM/KG
Bumper Ring Diameter (D1)	12.3	313
Satellite Ring Diameter (D2)	12.1	307
Curl Diameter (D3)	11.9	303
Base Diameter (D4)	10.3	262
Pail Height (H1)	14.6	371
Bumper Ring (H2)	11.2	285
Pail Weight	2.05	0.93
Overall Package Diameter (D)	12.3	313
Overall Package Height (H)	14.8	376
Overall Package Weight	2.8	1.27
Shipping Information		
Pails per pallet	264	
Covers per pallet	1248	
Pails/Covers per truckload	6600	



Corporate Headquarters
4010 East 26th St., Los Angeles, CA 90058
(800) 421-6244 • (323) 262-5145

Locations
Los Angeles, CA • Orlando, FL • Atlanta, GA • De Soto, KS
Erie, PA • Dallas, TX • Kenosha, WI • Quebec, Canada
Querétaro, Qro., Mexico

Web: www.rehrigpacific.com



A FAMILY TRADITION OF GROWTH, SERVICE AND INNOVATION